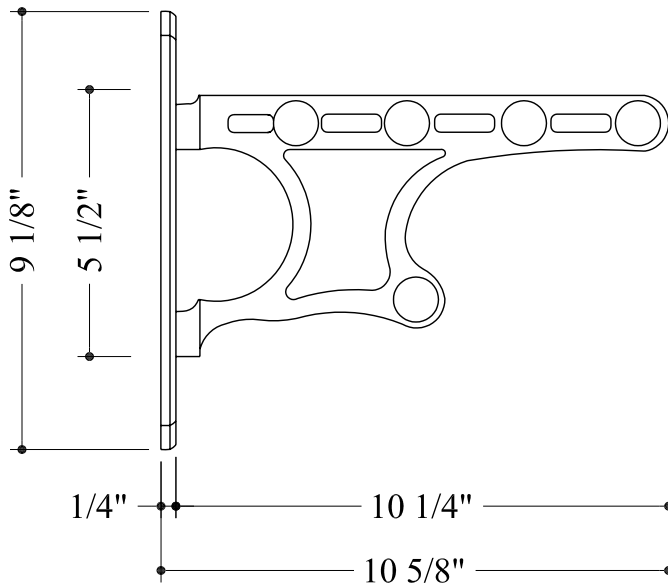
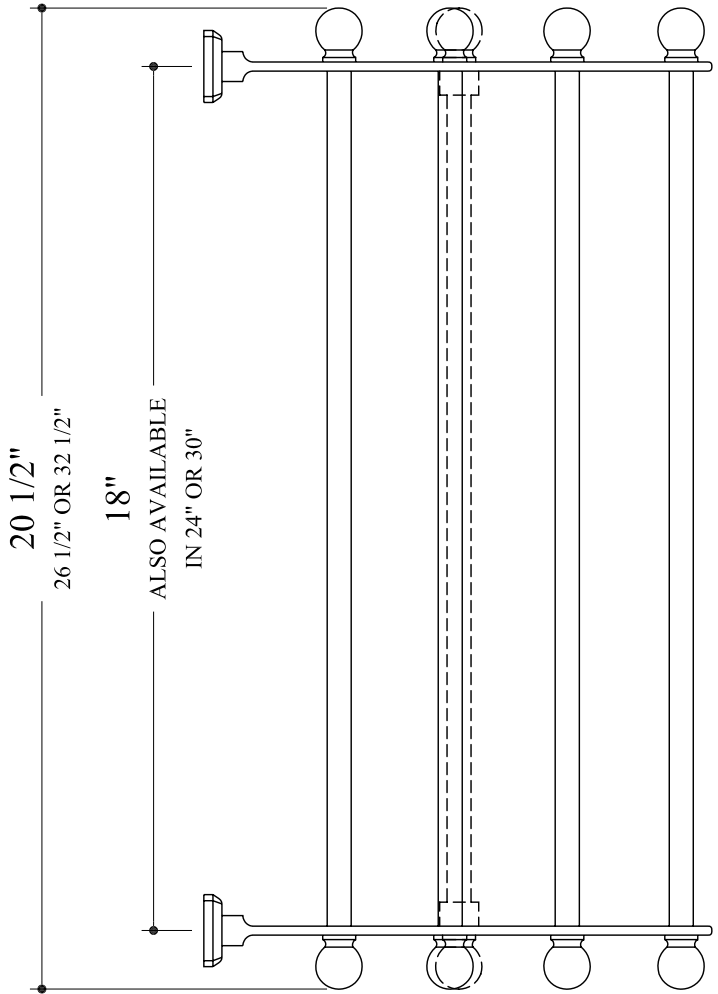


TOWEL RACK

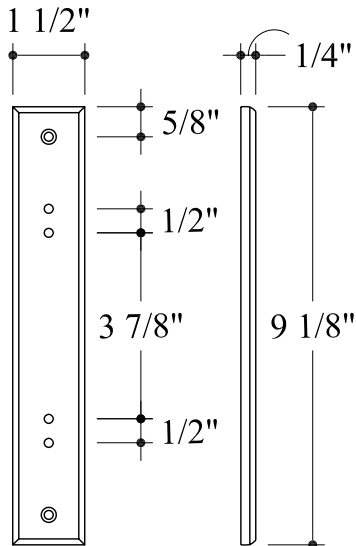
The Towel Rack comes in three different lengths (18", 24", 30") and with one of three different back plate designs. Please see bottom of page for options. All packages include:
 (4) Slotted oval head wood screw, 2"
 (8) Slotted flat head machine screw, $\frac{3}{32}$ " x $\frac{1}{2}$ "



SIDE VIEW

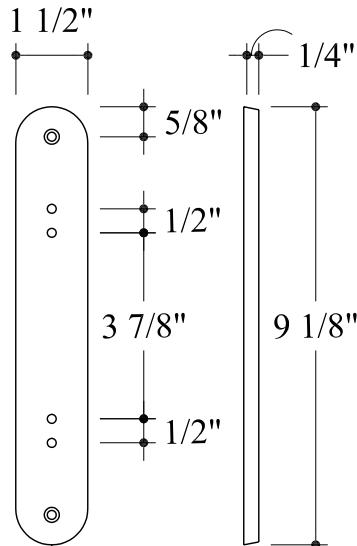


TOP VIEW



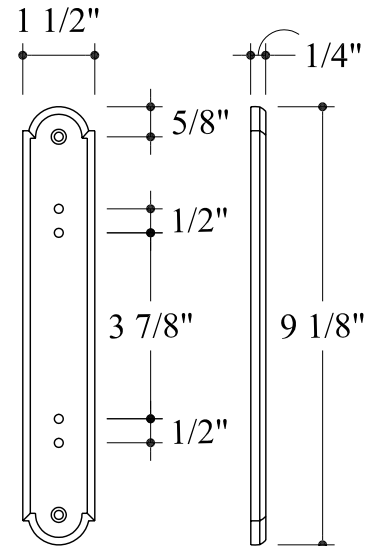
SQUARE BACKPLATE

18" BATRK18 - SP
 24" BATRK24 - SP
 30" BATRK30 - SP



ROUND BACKPLATE

18" BATRK18 - RP
 24" BATRK24 - RP
 30" BATRK30 - RP



ORNATE BACKPLATE

18" BATRK18 - OP
 24" BATRK24 - OP
 30" BATRK30 - OP

